

Solutions That Move You. Mobile, Modular, Metro.



Unit shown with optional sloped top.



Tall Mobile Units are stand-alone products. Tall mobile units are available in single (22³/₄" [578mm]), double (42¹/₂" [1080mm]) and triple (62¹/₂" [1588mm]) widths. The overall height of a tall mobile unit is 78" (1981mm). All units are 24⁷/₈" (632mm) deep.

General Overview:

The configurable interior space is 66" (1676mm).

Triple-width units must be divided into a single & double bay or three single bays — there are no triple wide accessories.

The specification of a qwikSLOT interior or an empty interior will necessitate an extended mobile base as part of the configuration.

Starsys Mobile Units have a total recommended load rating of 900 lbs. (408kg) including the weight of the Starsys unit.

Units feature two 5" (127mm) casters — the front two casters have color-matched toe-brakes.

Tall Stationary Units are stand-alone products or may be used in conjunction with other tall units or Starsys product families. Tall stationary units are available in single and double widths only.

General Overview:

The overall height of a tall stationary unit is 72¹/₂" (1842mm). Add 11³/₄" (299mm) wth sloped tops.

The configurable interior space is 66" (1676mm). The overall widths are 21¹/₂" (546mm) for singles and 41¹/₃" (1049mm) for doubles.

Filler kits are available to fill gaps between units, between the back of a unit and the wall (25" [635mm] & 30" [762mm] depths) and between tall units interfacing at 45 or 90 degrees.

All tall units must be affixed to the wall with appropriate mounting hardware utilizing the attached Starsys mounting bracket or affixed to the floor with the optional floor mounting kit.

Tall units are not intended to support cantilevered countertop sections.

Starsys Carts are built to exact customer specifications, therefore, they are non-cancelable, non-returnable.

For Starsys pricing information, please contact your local Metro representative.



Cat. No. SXRSGS1



Cat. No. SXRSGS2



Cat. No. SXRS76CM5



Cat. No. SXRS76CMHD2



Cat. No. SXRD76CM3



Cat. No. SXRD76CMHD1



Cat. No. SXRTGS2



Cat. No. SXRTGS3



Cat. No. SXRS72TU2



Cat. No. SXRS72TU4



Cat. No. SXRS72TUHD2

To configure a Starsys unit to your exact specifications, please visit www.metroconfigurator.com

For specification details, consult page 210



Cat. No. **SXRD72TU2**



Cat. No. **SXRD72TU3**



Cat. No. **SXRD72TU6**

Accessories

Description	Cat. No.
Extended Handle Assembly 4" (102mm) H.x21 ¹ / ₂ " [546mm] W.x 4 ¹ / ₄ " [108mm] L.)	SXREHAN†
Extended Handle Assembly — KD	SXREHAN-KD
Coat Hanger Tube	SXRSHANG

†Unless otherwise requested, handle will be assembled on left side of unit.



Extended Handle

Filler Kits and Trim Kits — Tall Stationary Units

Description	Cat. No.
Unit to Unit Filler Strip Kit	SXR72UUFLR
Back Wall Trim Kit x 72" (1829mm)	SXR72BKFLR
Back Wall Trim Kit x 72" (1829mm) — 30" (762mm) Deep	SXR72BKFLR30
45° Corner Filler Strip Kit x 84" (2134mm)	SXR84CR45FLR
90° Corner Filler Strip Kit x 84" (2134mm)	SXR84CR90FLR



Coat Hanger Tube

Floor Mounting Kit

Description	Cat. No.
Floor Mounting Kit	SX-FLR



StarSys Carts are built to exact customer specifications, therefore, they are non-cancelable, non-returnable.
For StarSys pricing information, please contact your local Metro representative.

General Supply



SXRSGS1

(Actual Unit has Taupe Pulls)

SXRSGS1 includes:

Single-Wide Tall Mobile Shell with Slotted Polymer Inner Panels

(3) Polymer Shelves (No upper door)

Left-Hinged 270° Solid Locking Upper Door (Keylock/2 keys)

Mid-Level Drawertop Shelf

(1) 3" (76mm) Polymer Drawer

(2) 9" (229mm) Polymer Drawer

Taupe Drawer Pulls

Outer & Inner Panels: Molded HDPE (Hi-Density Polyethylene)

Middle Open Storage Area: 12"H (304mm) x 17"W (432mm) x 22"D (559mm)

Interior Upper Dimensions: 30"H (762mm) x 17"W (432mm) x 22"D (559mm)

Overall Dimensions: 78.3"H (1990mm) x 22.8"W (578mm) x 24.9"D (632mm)



SXRSGS2

SXRSGS2 includes:

Single-Wide Tall Mobile Shell with Slotted Polymer Inner Panels

(2) Polymer Shelves (No upper door)

Mid-Level Drawertop Shelf

(2) 3" (76mm) Polymer Drawers

(2) 6" (152mm) Polymer Drawers

(2) 9" (229mm) Polymer Drawer

Taupe Drawer Pulls

Outer & Inner Panels: Molded HDPE (Hi-Density Polyethylene)

Interior Upper Dimensions: 27"H (686mm) x 17"W (432mm) x 22"D (559mm)

Overall Dimensions: 78.3"H (1990mm) x 22.8"W (578mm) x 24.9"D (632mm)



SXRST6CM5

SXRST6CM5 includes:

Single-Wide Tall Mobile Shell with qwikSLOT Inserts

(4) Fixed Chrome Wire qwikSLOT Shelves

Right-Hinged 270° Solid Non-Locking Tall Door

Taupe Door Pull

Outer & Inner Panels: Molded HDPE (Hi-Density Polyethylene)

Interior Dimensions: 66"H (1676mm) x 18"W (457mm) x 22"D (559mm)

Overall Dimensions: 78.3"H (1990mm) x 22.8"W (578mm) x 27.9"D (709mm)

General Supply



SXRS76CMHD2

SXRS76CMHD2 includes:

Single-Wide Tall Mobile Shell with quikSLOT Inserts & Mid-Level Drawer Lock Module (Keylock/2 keys) (No upper door)

(2) Single-Wide Fixed Chrome Wire quikSLOT Shelves

(2) 3" (76mm) Heavy-Duty Stainless Steel Drawers

(3) 6" (152mm) Heavy-Duty Stainless Steel Drawers

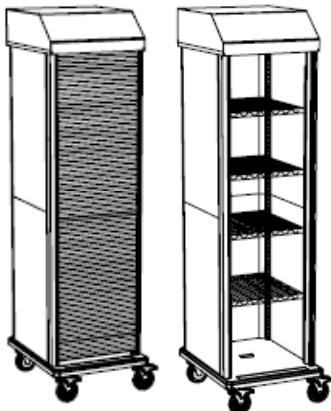
(1) 9" (229mm) Heavy-Duty Stainless Steel Drawer

Taupe Drawer Pulls

Outer & Inner Panels: Molded HDPE (Hi-Density Polyethylene)

Interior Upper Dimensions: 30"H (762mm) x 18"W (457mm) x 22"D (559mm)

Overall Dimensions: 78.3"H (1990mm) x 22.8"W (578mm) x 27.9"D (709mm)



SXRS83MGSTD

SXRS83MGSTD includes:

Single-Wide Tall Mobile Shell with quikSLOT Inserts & Full-Height Pull-Down Locking Tambour Door (Keylock/2 keys)

(4) Fixed Chrome Wire quikSLOT Shelves

Outer & Inner Panels: Molded HDPE (Hi-Density Polyethylene)

Interior Dimensions: 66"H (1677mm) x 17"W (432mm) x 23"D (584mm)

Overall Dimensions: 82.5"H (2096mm) x 22.8"W (578mm) x 27.9"D (709mm)



SXRDGS1

SXRDGS1 includes:

Double-Wide Tall Mobile Shell with quikSLOT Inserts (no door)

(3) Double-Wide Fixed Chrome Wire quikSLOT Shelves

(4) Double-Wide Full-Extension Chrome Wire Shelves

Outer Panels: Molded HDPE (Hi-Density Polyethylene)

Interior Dimensions: 66"H (1677mm) x 38"W (966mm) x 22"D (559mm)

Overall Dimensions: 78.3"H (1990mm) x 42.5"W (1080mm) x 27.9"D (709mm)

General Supply



SXR76CMHD1

SXR76CMHD1 Includes:

- Double-Wide Tall Mobile Shell with quikSLOT Inserts
- (3) Double-wide quikSLOT Chrome Wire Shelves (Behind upper door set)
- Center-Closing 225° Solid Non-Locking Upper Door Set
- Mid-Level Double-Wide Drawer Top Shelf (Non-locking)
- (2) 3" (76mm) Double-Wide Heavy-Duty Stainless Steel Drawers
- (2) 6" (152mm) Double-Wide Heavy-Duty Stainless Steel Drawers
- (1) 9" (229mm) Double-Wide Heavy-Duty Stainless Steel Drawer
- Taupe Drawer & Door Pulls
- Outer Panels: Molded HDPE (Hi-Density Polyethylene)
- Interior Upper Dimensions: 36"H (915mm) x 38"W (966mm) x 22"D (559mm)
- Overall Dimensions: 78.3"H (1990mm) x 42.5"W (1080mm) x 27.9"D (709mm)



SXR76CM3

SXR76CM3 includes:

- Double-Wide Tall Mobile Shell with quikSLOT Inserts
- (4) Double-wide quikSLOT Chrome Wire Shelves (Behind upper door set)
- Center-Closing 270° Solid Non-Locking Tall Door Set
- Taupe Drawer Door Pulls
- Outer Panels: Molded HDPE (Hi-Density Polyethylene)
- Interior Dimensions: 66"H (1677mm) x 38"W (966mm) x 22"D (559mm)
- Overall Dimensions: 78.3"H (1990mm) x 42.5"W (1080mm) x 27.9"D (709mm)



SXR83MGSTD

SXR83MGSTD includes:

- Double-Wide Tall Mobile Shell with quikSLOT Inserts & Full-Height Pull-Down Locking Tambour Door (Keylock\2 keys)
- (4) Double-Wide Fixed Chrome Wire quikSLOT Shelves
- Outer Panels: Molded HDPE (Hi-Density Polyethylene)
- Interior Dimensions: 66"H (1677mm) x 38"W (966mm) x 23"D (584mm)
- Overall Dimensions: 82.5"H (2096mm) x 42.5"W (1080mm) x 27.9"D (709mm)

General Supply



SXRTGS2

SXRTGS2 includes:

Triple-Wide Tall Mobile Shell with Slotted Polymer Inner Panels , qwikSLOT Inserts (Right Bay) & Left-Side Push/Pull Handle

Left Bay

- (3) Polymer Shelves (behind door)
- Left-Hinged 225° Solid Non-Locking Upper Door
- Mid-Level Drawertop Shelf (Non-locking)
- (3) 3" (76mm) Polymer Drawer
- (2) 6" (152mm) Polymer Drawers
- (1) 9" (229mm) Polymer Drawer

Middle Bay

- (3) Polymer Shelves (behind door)
- Right-Hinged 225° Solid Non-Locking Upper Door
- Mid-Level Drawertop Shelf (Non-locking)
- (2) 6" (152mm) Polymer Drawers
- (2) 9" (229mm) Polymer Drawers

Right Bay

- (2) Fixed Chrome Wire qwikSLOT Shelves
- (3) Full-Extension Chrome Wire Shelves
- Right-Hinged 270° Solid Non-Locking Tall Door
- Slate Blue Drawer & Door Pulls

Outer & Inner Panels: Molded HDPE (Hi-Density Polyethylene)

Interior Left & Middle Upper Dimensions: 33"H (839mm) x 17"W (432mm) x 22"D (559mm)

Interior Right Bay Dimensions: 66"H (1677mm) x 18"W (458mm) x 22"D (559mm)

Overall Dimensions: 78.3"H (1990mm) x 65.7"W (1669mm) x 27.9"D (709mm)



SXRTGS3

(Actual Unit has Slate Blue Pulls. Handle included but not shown.)

SXRTGS3 includes:

Triple-Wide Tall Mobile Shell with qwikSLOT Inserts & Left-Side Push/Pull Handle

Left Bay (Double-Wide)

- (3) Double-Wide Fixed Chrome Wire qwikSLOT Shelves
- (4) Double-Wide Full-Extension Chrome Wire Shelves
- Center Closing 225° Solid Locking Door Set (Keylock/2 keys)

Right Bay (Single-wide)

- (2) Single-Wide Fixed Chrome Wire qwikSLOT Shelves
- (4) Single-Wide Full-Extension Chrome Wire Shelves
- Right-Hinged 225° Solid Locking Tall Door (Keylock/2 keys)
- Slate Blue Door Pulls

Outer & Inner Panels: Molded HDPE (Hi-Density Polyethylene)

Interior Left Bay Dimensions: 66"H (1677mm) x 38"W (966mm) x 22"D (559mm)

Interior Right Bay Dimensions: 66"H (1677mm) x 18"W (457mm) x 22"D (559mm)

Overall Dimensions: 78.3"H (1990mm) x 65.7"W (1669mm) x 27.9"D (709mm)

Catheter Storage



SXRS76MCATH1

SXRS76MCATH1 includes:
 Single-Wide Tall Mobile Shell with Slotted Polymer Inner Panels
 (1) Catheter Storage Module (Includes Catheter Shelf, (3) Catheter Slides, (15) Catheter Hooks & Labels
 Left-Hinged 225° Solid Locking Tall Door (Keylock/2 keys)
Outer & Inner Panels: Molded HDPE (Hi-Density Polyethylene)
Interior Dimensions: 66"H (1676mm) x 17"W (432mm) x 22"D (559mm)
Overall Dimensions: 78.3"H (1990mm) x 22.8"W (578mm) x 24.9"D (632mm)



SXRS83MCATHTD

SXRS83MCATHTD includes:
 Single-Wide Tall Mobile Shell with Slotted Inner Panels & Full-Height Pull-Down Locking Tambour Door (Keylock\2 keys)
 (1) Catheter Storage Module (Includes Catheter Shelf, (3) Catheter Slides, (15) Catheter Hooks & Labels
 (1) Polymer Shelf
Outer & Inner Panels: Molded HDPE (Hi-Density Polyethylene)
Interior Dimensions: 66"H (1677mm) x 17"W (432mm) x 23"D (584mm)
Overall Dimensions: 82.5"H (2096mm) x 22.8"W (578mm) x 27.9"D (709mm)



SXRD83MCATHTD

SXRD83MCATHTD includes:
 Double-Wide Tall Mobile Shell with Slotted Inner Panels & Full-Height Pull-Down Locking Tambour Door (Keylock\2 keys)
 (2) Catheter Storage Modules (Includes (2) Catheter Shelves, (6) Catheter Slides, (30) Catheter Hooks & Labels
 (2) Polymer Shelves
Outer & Inner Panels: Molded HDPE (Hi-Density Polyethylene)
Interior Bay Dimensions: 66"H (1677mm) x 17"W (432mm) x 23"D (584mm)
Overall Dimensions: 82.5"H (2096mm) x 42.5"W (1080mm) x 27.9"D (709mm)

Catheter Storage



SXR76MCATH1

SXR76MCATH1 includes:

Double-Wide Tall Mobile Shell with Slotted Polymer Inner Panels

Left Bay

(1) Catheter Storage Module (Includes Catheter Shelf, (3) Catheter Slides, (15) Catheter Hooks & Labels

Left-Hinged 270° Solid Locking Tall Door (Keylock/2 keys)

Right Bay

(1) Catheter Storage Module (Includes Catheter Shelf, (3) Catheter Slides, (15) Catheter Hooks & Labels

Right-Hinged 270° Solid Locking Tall Door (Keylock/2 keys)

Taupe Door Pulls

Outer & Inner Panels: Molded HDPE (Hi-Density Polyethylene)

Interior Bay Dimensions: 66"H (1677mm) x 17"W (432mm) x 22"D (559mm)

Overall Dimensions: 78.3"H (1990mm) x 42.5"W (1080mm) x 24.9"D (632mm)



SXR76MCATH2

SXR76MCATH2 includes:

Double-Wide Tall Mobile Shell with Slotted Polymer Inner Panels & Left-Side Push/Pull Handle

Left Bay

(2) Polymer Shelves (behind door)

Left-Hinged 225° Solid Non-Locking Upper Door

Mid-Level Drawertop Shelf (Non-locking)

(1) 3" (76mm) Polymer Drawer

(2) 6" (152mm) Polymer Drawers

(2) 9" (229mm) Polymer Drawers

Right Bay

(1) Catheter Storage Module (Includes Catheter Shelf, (3) Catheter Slides, (15) Catheter Hooks & Labels

Right-Hinged 270° Solid Locking Tall Door (Keylock/2 keys)

Taupe Drawer & Door Pulls

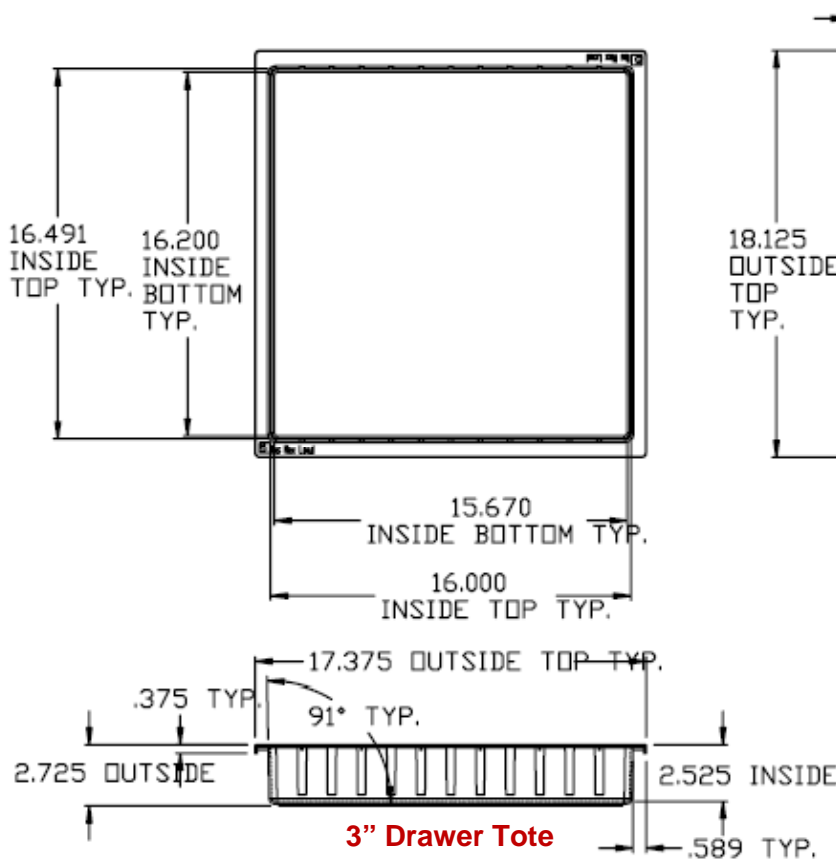
Outer & Inner Panels: Molded HDPE (Hi-Density Polyethylene)

Interior Left Upper Dimensions: 30"H (762mm) x 17"W (432mm) x 22"D (559mm)

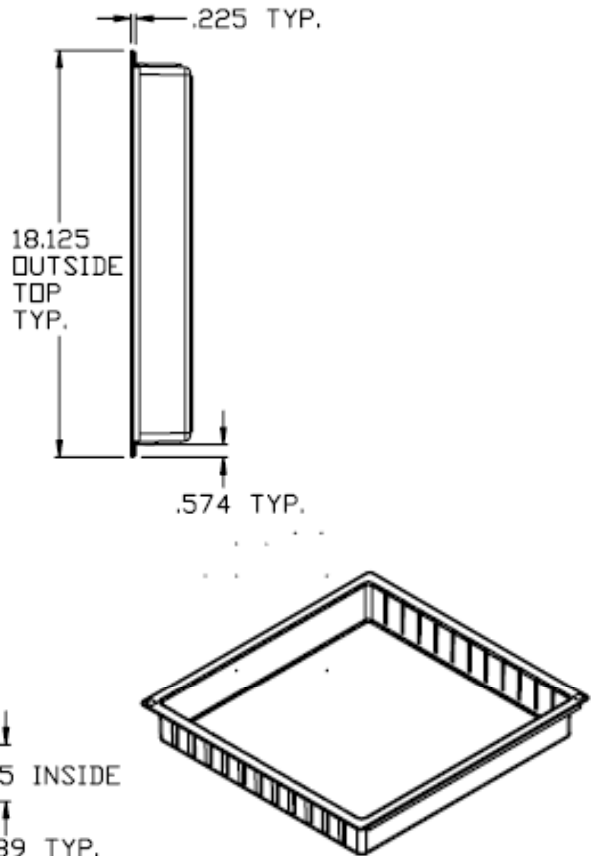
Interior Right Bay Dimensions: 66"H (1677mm) x 17"W (432mm) x 22"D (559mm)

Overall Dimensions: 78.3"H (1990mm) x 45.9"H (1166mm) x 24.9"D (632mm)

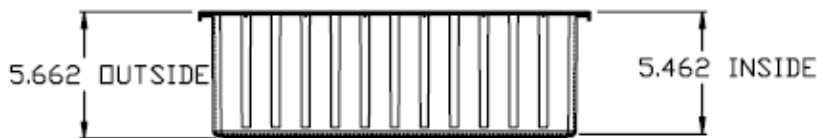
Standard Drawer Tote Specs



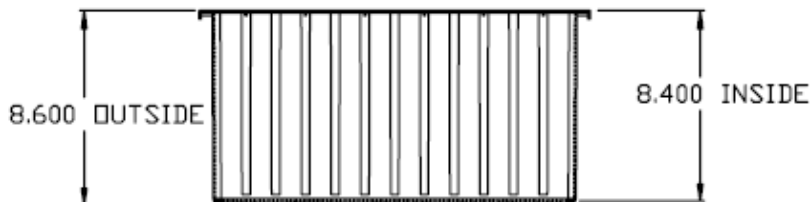
3" Drawer Tote



3" Drawer Tote



6" Drawer Tote



9" Drawer Tote



Weight Capacities:
 3" Tote = 25 lbs. (11.3Kg)
 6" & 9" Totes = 40 lbs. (18.1 Kg)

Heavy Duty Drawer Specs



Above: Double-Wide 3" Heavy Duty Drawer

Left: Single-Wide Heavy Duty Drawers

Inside Dimensions Metro Part #	Inches			Millimeters			Wt Capacity	
	H	W	D	H	W	D	Lbs	Kg
Single-Wide HD Drawers								
3" Heavy Duty Dwr	2.3	16.3	19.2	58	414	487	100	45.4
6" Heavy Duty Dwr	5.3	16.3	19.2	134	414	487	100	45.4
9" Heavy Duty Dwr	8.3	16.3	19.2	210	414	487	100	45.4
12" Heavy Duty Dwr	11.5	16.3	19.2	292	414	487	100	45.4
Double-Wide HD Drawers								
3" Heavy Duty Dwr	2.3	36.3	19.2	58	922	487	150	68
6" Heavy Duty Dwr	5.3	36.3	19.2	134	922	487	150	68
9" Heavy Duty Dwr	8.3	36.3	19.2	210	922	487	150	68
12" Heavy Duty Dwr	11.5	36.3	19.2	292	922	487	150	68

Construction: The drawer interior is composed of 16 and 18 gauge solid stainless steel. The drawer slides are full-extension, zinc-plated steel with chrome-plated ball bearings, and attach to qwikSLOT inserts. They have side lever releases and detents in the closed position. The slide travel distance is 20.75". The drawer front surface is composed of molded ABS polymer, colored in Metro Taupe. Snap-on handles ("pulls") attach above the top recessed area and are available in a variety of colors. Optional self-adhesive label holders positioned in the recessed area under the pulls are also offered.

General Supply



SXR72TU2

SXR72TU2 includes:

Single-Wide Tall Stationary Shell with Slotted Polymer Inner Panels & Mid-Level Drawer Lock Module (Keylock/2 keys)

- (2) Polymer Shelves (No upper door)
- (2) 3" (76mm) Polymer Drawers
- (3) 6" (152mm) Polymer Drawers
- (1) 9" (229mm) Polymer Drawer

Slate Blue Drawer Pulls

Outer & Inner Panels: Molded HDPE (Hi-Density Polyethylene)

Interior Upper Dimensions: 30"H (762mm) x 17"W (432mm) x 22"D (559mm)

Overall Dimensions: 72.5H (1842mm) x 21.5"W (54mm) x 23.4"D (594mm) (without back filler kit); 24.8"D (630mm) (with optional back filler kit)

Optional Recommended Accessory: Back Filler Kit (P/N: SXR72BKFLR)

(Note: Only (1) Back Filler Kit required for multiple units abutting each other.)



SXR72TU3

SXR72TU3 includes:

Single-Wide Tall Stationary Shell with Slotted Polymer Inner Panels (no door)

- (5) Polymer Shelves
- Outer & Inner Panels: Molded HDPE (Hi-Density Polyethylene)
- Interior Upper Dimensions: 66"H (1676mm) x 17"W (432mm) x 22"D (559mm)
- Overall Dimensions: 72.5H (1842mm) x 21.5"W (54mm) x 23.4"D (594mm) (without back filler kit); 24.8"D (630mm) (with optional back filler kit)

Optional Recommended Accessory: Back Filler Kit (P/N: SXR72BKFLR)

(Note: Only (1) Back Filler Kit required for multiple units abutting each other.)



SXR72TU4

SXR72TU4 includes:

Single-Wide Tall Stationary Shell with qwikSLOT Inserts (no door)

- (2) Fixed Chrome Wire qwikSLOT Shelves
- (3) Full-Extension Chrome Wire Shelves

Outer Panels: Molded HDPE (Hi-Density Polyethylene)

Interior Dimensions: 66"H (1676mm) x 18"W (457mm) x 22"D (559mm)

Overall Dimensions: 72.5H (1842mm) x 21.5"W (54mm) x 23.4"D (594mm) (without back filler kit); 24.8"D (630mm) (with optional back filler kit)

Optional Recommended Accessory: Back Filler Kit (P/N: SXR72BKFLR)

(Note: Only (1) Back Filler Kit required for multiple units abutting each other.)

General Supply



SXRS72TUHD2

SXRS72TUHD2 includes:

Single-Wide Tall Stationary Shell with quikSLOT Inserts & Mid-Level Drawer Lock Module (Keylock/2 keys) (No upper door)

- (1) Back Filler Kit
 - (2) Single-Wide Fixed Chrome Wire quikSLOT Shelves
 - (2) 3" (76mm) Heavy-Duty Stainless Steel Drawers
 - (3) 6" (152mm) Heavy-Duty Stainless Steel Drawers
 - (1) 9" (229mm) Heavy-Duty Stainless Steel Drawer
- Taupe Drawer Pulls

Outer & Inner Panels: Molded HDPE (Hi-Density Polyethylene)

Interior Upper Dimensions: 30"H (762mm) x 17"W (432mm) x 22"D (559mm)

Overall Dimensions: 72.5H (1842mm) x 21.5"W (54mm) x 23.4"D (594mm)

(without back filler kit); 24.8"D (630mm) (with back filler kit)

(Note: Only (1) Back Filler Kit required for multiple units abutting each other.)



SXRS80GSTD

SXRS80GSTD includes:

Single-Wide Tall Stationary Shell with quikSLOT Inserts & Full-Height Pull-Down Locking Tambour Door (Keylock/2 keys)

- (4) Single-Wide Fixed Chrome Wire quikSLOT Shelves

Outer Panels: Molded HDPE (Hi-Density Polyethylene)

Interior Dimensions: 66"H (1677mm) x 18"W (457mm) x 23"D (584mm)

Overall Dimensions: 80"H (2032mm) x 21.5"W (54mm) x 24.4"D (620mm)

Optional Recommended Accessory: Back Filler Kit (P/N: SXRBFKFLR25TD)

(Note: Only (1) Back Filler Kit required for multiple units abutting each other.)



SXRS80HGSTD

SXRS80HGSTD includes:

Single-Wide "Half-Depth" Tall Stationary Shell with Slotted Polymer Inserts & Full-Height Pull-Down Locking Tambour Door (Keylock/2 keys)

- (4) Single-Wide Half-Depth Fixed Dark Taupe Epoxy-Coated Wire Shelves

Outer & Inner Panels: Molded HDPE (Hi-Density Polyethylene)

Interior Dimensions: 66"H (1677mm) x 17"W (432mm) x 15.5"D (394mm)

Overall Dimensions: 80"H (2032mm) x 21.5"W (54mm) x 18"D (457mm)

Optional Recommended Accessory: Back Filler Kit (P/N: SXRBFKFLR18TD)

(Note: Only (1) Back Filler Kit required for multiple units abutting each other.)

General Supply



SXRD72TU2

SXRD72TU2 includes:

- Double-Wide Tall Stationary Shell with Slotted Polymer Inner Panels & (2) Mid-Level Drawer Lock Modules (Keylock/2 keys per Lock Module)
- (6) Polymer Shelves (3 behind each door)
- Left-Hinged 225° Solid Top-Locking Locking Door (Keylock/2 keys)
- Right-Hinged 225° Solid Top-Locking Locking Door (Keylock/2 keys)
- (4) 3" (76mm) Polymer Drawers
- (6) 6" (152mm) Polymer Drawers
- (2) 9" (229mm) Polymer Drawer
- Slate Blue Drawer & Door Pulls
- Outer & Inner Panels: Molded HDPE (Hi-Density Polyethylene)
- Interior Upper Dimensions: 30"H (762mm) x 17"W (432mm) x 22"D (559mm)
- Overall Dimensions: 72.5H (1842mm) x 41.3"W (1049mm) x 23.4"D (594mm) (without back filler kit); 24.8"D (630mm) (with optional back filler kit)
- Optional Recommended Accessory: Back Filler Kit (P/N: SXR72BKFLR)
- (Note: Only (1) Back Filler Kit required for multiple units abutting each other.)



SXRD72TU3

SXRD72TU3 includes:

- Double-Wide Tall Non-Locking Stationary Shell with Left-Bay Slotted Polymer Inner Panels & Right-bay qwikSLOT Inserts
- Left Bay
- (2) Polymer Shelves (behind door)
- Left-Hinged 225° Solid Non-Locking Upper Door
- Mid-Level Drawertop Shelf
- (2) 3" (76mm) Polymer Drawers
- (3) 6" (152mm) Polymer Drawers
- (1) 9" (229mm) Polymer Drawer
- Right Bay
- (2) Fixed Chrome Wire qwikSLOT Shelves
- (3) Full-Extension Chrome Wire Shelves
- Right-Hinged 225° Solid Non-Locking Tall Door
- Slate Blue Drawer & Door Pulls
- Outer Panels: Molded HDPE (Hi-Density Polyethylene)
- Interior Upper Dimensions: 30"H (762mm) x 17"W (432mm) x 22"D (559mm)
- Interior Right Bay Dimensions: 66"H (1677mm) x 17"W (432mm) x 22"D (559mm)
- Overall Dimensions: 72.5H (1842mm) x 41.3"W (1049mm) x 23.4"D (594mm) (without back filler kit); 24.8"D (630mm) (with optional back filler kit)
- Optional Recommended Accessory: Back Filler Kit (P/N: SXR72BKFLR)
- (Note: Only (1) Back Filler Kit required for multiple units abutting each other.)

General Supply



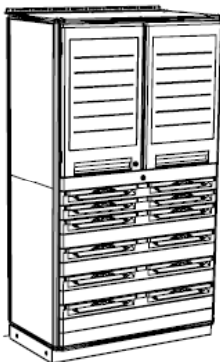
SXR72TU5

SXR72TU5 includes:
 Double-Wide Tall Stationary Shell with quikSLOT Inserts (no front center post)
 (2) Double-Wide Fixed Chrome Wire quikSLOT Shelves
 (3) Double-Wide Full-Extension Chrome Wire Shelves
 Center-Closing 225° Solid Non-Locking Tall Door Set
 Slate Blue Door Pulls
Outer Panels: Molded HDPE (Hi-Density Polyethylene)
Interior Dimensions: 66"H (1677mm) x 38"W (966mm) x 22"D (559mm)
Overall Dimensions: 72.5H (1842mm) x 41.3"W (1049mm) x 23.4"D (594mm)
 (without back filler kit); 24.8"D (630mm) (with optional back filler kit)
Optional Recommended Accessory: Back Filler Kit (P/N: SXR72BKFLR)
 (Note: Only (1) Back Filler Kit required for multiple units abutting each other.)



SXR72TU6

SXR72TU6 includes:
 Double-Wide Tall Stationary Shell with quikSLOT Inserts (no front center post)
 (2) Double-Wide Fixed Chrome Wire quikSLOT Shelves
 (3) Double-Wide Full-Extension Chrome Wire Shelves
 Center-Closing 225° Solid Locking Tall Door Set (Keylock/2 keys)
 Slate Blue Door Pulls
Outer Panels: Molded HDPE (Hi-Density Polyethylene)
Interior Dimensions: 66"H (1677mm) x 38"W (966mm) x 22"D (559mm)
Overall Dimensions: 72.5H (1842mm) x 41.3"W (1049mm) x 23.4"D (594mm)
 (without back filler kit); 24.8"D (630mm) (with optional back filler kit)
Optional Recommended Accessory: Back Filler Kit (P/N: SXR72BKFLR)
 (Note: Only (1) Back Filler Kit required for multiple units abutting each other.)



SXR72TUHD2

SXR72TUHD2 includes:
 Double-Wide Tall Stationary Shell with quikSLOT Inserts & Double-Wide Mid-Level
 Drawer Lock Module (Keylock/2 keys)
 (1) Back Filler Kit
 (3) Double-wide quikSLOT Chrome Wire Shelves (Behind upper door set)
 Center-Closing 225° Solid Top-Locking Locking Upper Door Set (Keylock/2 keys)
 Mid-Level Drawer Lock Module
 (2) 3" (76mm) Double-Wide Heavy-Duty Stainless Steel Drawers
 (3) 6" (152mm) Double-Wide Heavy-Duty Stainless Steel Drawers
 (1) 9" (229mm) Double-Wide Heavy-Duty Stainless Steel Drawer
 Taupe Drawer & Door Pulls
Outer Panels: Molded HDPE (Hi-Density Polyethylene)
Interior Upper Dimensions: 30"H (762mm) x 38"W (966mm) x 22"D (559mm)
Overall Dimensions: 72.5H (1842mm) x 41.3"W (1049mm) x 23.4"D (594mm)
 (without back filler kit); 24.8"D (630mm) (with back filler kit)
 (Note: Only (1) Back Filler Kit required for multiple units abutting each other.)

General Supply



SXRD80SGSTD

SXRD80SGSTD includes:

Double-Wide Tall Stationary Shell with quikSLOT Inserts & Full-Height Pull-Down Locking Tambour Door (Keylock\2 keys)

(4) Double-Wide Fixed Chrome Wire quikSLOT Shelves

Outer Panels: Molded HDPE (Hi-Density Polyethylene)

Interior Dimensions: 66"H (1677mm) x 38"W (966mm) x 23"D (584mm)

Overall Dimensions: 80"H (2032mm) x 41.4"W (1052mm) x 25.3"D (643mm)

Optional Recommended Accessory: Back Filler Kit (P/N: SXRBFKFLR25TD)

(Note: Only (1) Back Filler Kit required for multiple units abutting each other.)



SXRD80HGSTD

SXRD80HGSTD includes:

Double-Wide "Half-Depth" Tall Stationary Shell with quikSLOT Inserts & Full-Height Pull-Down Locking Tambour Door (Keylock\2 keys)

(4) Double-Wide Half-Depth Fixed Dark Taupe Epoxy-Coated Wire Shelves

Outer Panels: Molded HDPE (Hi-Density Polyethylene)

Interior Dimensions: 66"H (1677mm) x 38"W (966mm) x 15.5"D (394mm)

Overall Dimensions: 80"H (2032mm) x 41.4"W (1052mm) x 18"D (457mm)

Optional Recommended Accessory: Back Filler Kit (P/N: SXRBFKFLR18TD)

(Note: Only (1) Back Filler Kit required for multiple units abutting each other.)

Catheter Storage



SXRS72SCATH1

SXRS72SCATH1 includes:
 Single-Wide Tall Stationary Shell with Slotted Polymer Inner Panels
 (1) Catheter Storage Module (Includes Catheter Shelf, (3) Catheter Slides, (15) Catheter Hooks & Labels
 Left-Hinged 225° Solid Locking Tall Door (Keylock/2 keys)
 Outer & Inner Panels: Molded HDPE (Hi-Density Polyethylene)
 Interior Upper Dimensions: 66”H (1676mm) x 17”W (432mm) x 22”D (559mm)
 Overall Dimensions: 72.5H (1842mm) x 21.5”W (54mm) x 23.4”D (594mm) (without back filler kit); 24.8”D (630mm) (with optional back filler kit)
 Optional Recommended Accessory: Back Filler Kit (P/N: SXR72BKFLR)
 (Note: Only (1) Back Filler Kit required for multiple units abutting each other.)



SXRS80SCATHTD

SXRS80SCATHTD includes:
 Single-Wide Tall Stationary Shell with Slotted Inner Panels & Full-Height Pull-Down Locking Tambour Door (Keylock\2 keys)
 (1) Catheter Storage Module (Includes Catheter Shelf, (3) Catheter Slides, (15) Catheter Hooks & Labels
 (1) Polymer Shelf
 Outer & Inner Panels: Molded HDPE (Hi-Density Polyethylene)
 Interior Dimensions: 66”H (1677mm) x 17”W (432mm) x 23”D (584mm)
 Overall Dimensions: 80”H (2032mm) x 21.5”W (54mm) x 24.4”D (620mm)
 Optional Recommended Accessory: Back Filler Kit (P/N: SXR80BKFLR25TD)
 (Note: Only (1) Back Filler Kit required for multiple units abutting each other.)



SXRS80HCATHTD

SXRS80HCATHTD includes:
 Single-Wide “Half-Depth” Tall Stationary Shell with Slotted Polymer Inserts & Full-Height Pull-Down Locking Tambour Door (Keylock\2 keys)
 (1) Half-Depth Catheter Storage Module (Includes Half-Depth Catheter Shelf, (3) Half-Depth Catheter Slides, (15) Catheter Hooks & Labels
 (1) Half-Depth Polymer Shelf
 Outer & Inner Panels: Molded HDPE (Hi-Density Polyethylene)
 Interior Dimensions: 66”H (1677mm) x 17”W (432mm) x 15.5”D (394mm)
 Overall Dimensions: 80”H (2032mm) x 21.5”W (54mm) x 18”D (457mm)
 Optional Recommended Accessory: Back Filler Kit (P/N: SXR80BKFLR18TD)
 (Note: Only (1) Back Filler Kit required for multiple units abutting each other.)

Catheter Storage



SXR72SCATH1

SXR72SCATH1 includes:

Double-Wide Tall Stationary Shell with Slotted Polymer Inner Panels

Left Bay

(1) Catheter Storage Module (Includes Catheter Shelf, (3) Catheter Slides, (15) Catheter Hooks & Labels

Left-Hinged 225° Solid Locking Tall Door (Keylock/2 keys)

Right Bay

(1) Catheter Storage Module (Includes Catheter Shelf, (3) Catheter Slides, (15) Catheter Hooks & Labels

Right-Hinged 225° Solid Locking Tall Door (Keylock/2 keys)

Taupe Door Pulls

Outer & Inner Panels: Molded HDPE (Hi-Density Polyethylene)

Interior Bay Dimensions: 66”H (1677mm) x 17”W (432mm) x 22”D (559mm)

Overall Dimensions: 72.5H (1842mm) x 41.3”W (1049mm) x 23.4”D (594mm) (without back filler kit); 24.8”D (630mm) (with optional back filler kit)

Optional Recommended Accessory: Back Filler Kit (P/N: SXR72BKFLR)

(Note: Only (1) Back Filler Kit required for multiple units abutting each other.)



SXR72SCATH2

SXR72SCATH2 includes:

Double-Wide Tall Stationary Shell with Slotted Polymer Inner Panels

Left Bay

(2) Polymer Shelves (behind door)

Left-Hinged 225° Solid Non-Locking Upper Door

Mid-Level Drawertop Shelf

(1) 3” (76mm) Polymer Drawer

(2) 6” (152mm) Polymer Drawers

(2) 9” (229mm) Polymer Drawers

Right Bay

(1) Catheter Storage Module (Includes Catheter Shelf, (3) Catheter Slides, (15) Catheter Hooks & Labels

Right-Hinged 225° Solid Locking Tall Door (Keylock/2 keys)

Taupe Drawer & Door Pulls

Outer & Inner Panels: Molded HDPE (Hi-Density Polyethylene)

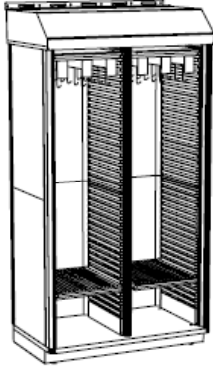
Interior Bay Dimensions: 66”H (1677mm) x 17”W (432mm) x 22”D (559mm)

Overall Dimensions: 72.5H (1842mm) x 41.3”W (1049mm) x 23.4”D (594mm) (without back filler kit); 24.8”D (630mm) (with optional back filler kit)

Optional Recommended Accessory: Back Filler Kit (P/N: SXR72BKFLR)

(Note: Only (1) Back Filler Kit required for multiple units abutting each other.)

Catheter Storage



SXR80SCATHTD

SXR80SCATHTD includes:

- Double-Wide Tall Stationary Shell with Slotted Inner Panels & Full-Height Pull-Down Locking Tambour Door (Keylock\2 keys)
- (2) Catheter Storage Module (Includes (2) Catheter Shelves, (6) Catheter Slides, (30) Catheter Hooks & Labels
- (2) Polymer Shelves
- Outer & Inner Panels: Molded HDPE (Hi-Density Polyethylene)
- Interior Bay Dimensions: 66"H (1677mm) x 17"W (432mm) x 23"D (584mm)
- Overall Dimensions: 80"H (2032mm) x 41.4"W (1052mm) x 24.4"D (620mm)
- Optional Recommended Accessory: Back Filler Kit (P/N: SXRBKFLR25TD)
- (Note: Only (1) Back Filler Kit required for multiple units abutting each other.)

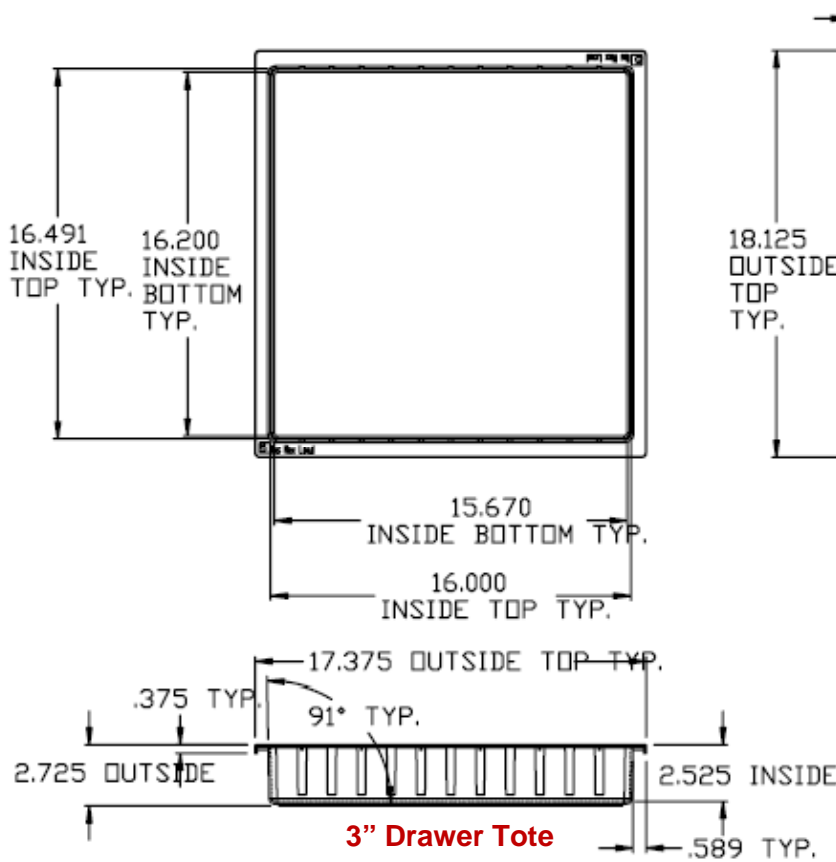


SXR80HCATHTD

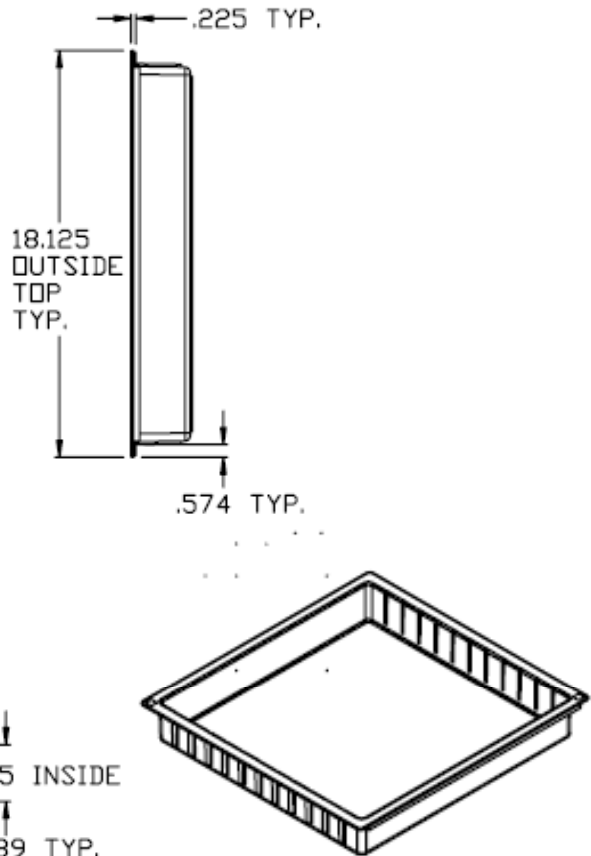
SXR80HCATHTD includes:

- Single-Wide Half-Depth Tall Stationary Shell with Slotted Inner Panels & Full-Height Pull-Down Locking Tambour Door (Keylock\2 keys)
- (2) Half-Depth Catheter Storage Module (Includes (2) Half-Depth Catheter Shelves, (6) Half-Depth Catheter Slides, (30) Catheter Hooks & Labels
- (2) Half-Depth Polymer Shelves
- Outer & Inner Panels: Molded HDPE (Hi-Density Polyethylene)
- Interior Bay Dimensions: 66"H (1677mm) x 17"W (432mm) x 15.5"D (394mm)
- Overall Dimensions: 80"H (2032mm) x 41.4"W (1052mm) x 18"D (457mm)
- Optional Recommended Accessory: Back Filler Kit (P/N: SXRBKFLR18TD)
- (Note: Only (1) Back Filler Kit required for multiple units abutting each other.)

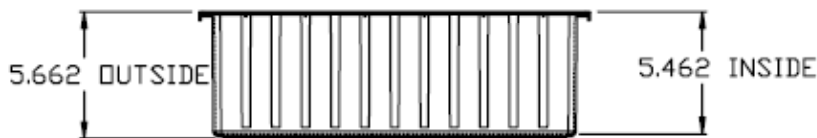
Standard Drawer Tote Specs



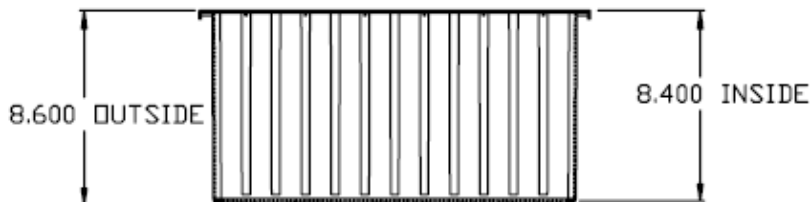
3" Drawer Tote



3" Drawer Tote



6" Drawer Tote



9" Drawer Tote



Weight Capacities:
 3" Tote = 25 lbs. (11.3Kg)
 6" & 9" Totes = 40 lbs. (18.1 Kg)

Heavy Duty Drawer Specs



Above: Double-Wide 3" Heavy Duty Drawer

Left: Single-Wide Heavy Duty Drawers

Inside Dimensions Metro Part #	Inches			Millimeters			Wt Capacity	
	H	W	D	H	W	D	Lbs	Kg
Single-Wide HD Drawers								
3" Heavy Duty Dwr	2.3	16.3	19.2	58	414	487	100	45.4
6" Heavy Duty Dwr	5.3	16.3	19.2	134	414	487	100	45.4
9" Heavy Duty Dwr	8.3	16.3	19.2	210	414	487	100	45.4
12" Heavy Duty Dwr	11.5	16.3	19.2	292	414	487	100	45.4
Double-Wide HD Drawers								
3" Heavy Duty Dwr	2.3	36.3	19.2	58	922	487	150	68
6" Heavy Duty Dwr	5.3	36.3	19.2	134	922	487	150	68
9" Heavy Duty Dwr	8.3	36.3	19.2	210	922	487	150	68
12" Heavy Duty Dwr	11.5	36.3	19.2	292	922	487	150	68

Construction: The drawer interior is composed of 16 and 18 gauge solid stainless steel. The drawer slides are full-extension, zinc-plated steel with chrome-plated ball bearings, and attach to qwikSLOT inserts. They have side lever releases and detents in the closed position. The slide travel distance is 20.75". The drawer front surface is composed of molded ABS polymer, colored in Metro Taupe. Snap-on handles ("pulls") attach above the top recessed area and are available in a variety of colors. Optional self-adhesive label holders positioned in the recessed area under the pulls are also offered.